

SHELL PIPE LINE CORPORATION

TELEPHONE DIRECTORY

AUGUST 1992

SHELL PIPE LINE CORPORATION  
HEAD OFFICE

AUGUST 1, 1992

<u>SSN</u> 421-	<u>NAME</u>	<u>TITLE</u>	<u>TSP</u> <u>ROOM</u>	<u>PROFS</u> <u>NICKNAME</u>
--------------------	-------------	--------------	---------------------------	---------------------------------

ADMINISTRATION

6506	McMahan, R. C. (Bob)	President	1400	RCM3
6507	Moon*, L. D. (Lois)	Staff Secretary	1400	LDM1

Administration FAX: SSN 421-0271. Confirmation Number: SSN 421-6507.

---

PIPE LINE OPERATIONS

3526	Lee, F. T. Jr. (Frank)	Manager	1660	FTL
5792	Frank, C. R. (Charles)	Sr. Financial Rep.	1656	CRF1
3527	Green*, C. M. (Carol)	Sr. Admin. Secretary	1662	CMG1
3527	Washington**, T. D. (Tiffany)	BP Student	1662	
2122	Visitors Office		1658	

OIL MOVEMENTS

3136	Niemeyer, J. A. (John)	Manager	1664	JAN4
------	------------------------	---------	------	------

CONSOLIDATED CONTROL CENTER

2468	Gast, C. O. (Carl)	Manager	1618	COG
2044	Burns, B. L. (Byron)	PL Representative	1614	BLB1
2444	Glassco, R. L. (Ralph)	Sr. PL Analyst	1622	RLG7
2449	Griffith, M. J. (Mike)	Sr. PL Analyst	1628	MIKE5
5018	Jacobs, J. O. (Jim)	Sr. PL Analyst	1625	JOJ
0541	Keller, M. A. (Mark)	PL Analyst	1625	MAK3
1646	Martinez**, M. H. (Mary Helen)	Temporary Secretary	1620	MHM
1715	Naughton, J. J. (John)	Sr. PL Analyst	1624	JJN1
6923	Ramsey, D. E. (Dennis)	Assistant Supervisor	1610	DER1
0647	Scruggs, D. W. (David)	Supervisor	1612	DWS3
3732	Smith, D. R. (Donald)	Super. Cont. Ctr. Coord.	1616	DRSMIT
2104	Zimmerman, P. K. (Paul)	Sr. PL Analyst	1626	PKZ

PASADENA CONSOLE

0648	Berryhill, L. W. (Lloyd)	Controller	16121D	PASADENA
0648	Castaneda, Jr., G. (Gabe)	Controller	16121D	"
0648	Davis, D. J. (Denny)	Controller	16121D	"
0648	Davis, T. M. (Tom)	Controller B	16121D	"
0648	Hassler, F. F. (Fred)	Controller	16121D	"
0648	Impellizzeri, T. A. (Tom)	Controller	16121D	"

(Continued On Page 2)

16th Floor Huddle Room, Room 1651, Extension 0003

\* = 5520 Address (See Page 8)

\*\* = Temporary Assignment

BPNB9126801-KEP - 0001.0.0

8/1/92

<u>SSN</u> 421-	<u>NAME</u>	<u>TITLE</u>	<u>TSP</u> <u>ROOM</u>	<u>PROFS</u> <u>NICKNAME</u>
--------------------	-------------	--------------	---------------------------	---------------------------------

BUSINESS SERVICES (Continued)TARIFFS & VALUATION

4709	Smelley, M. E. (Mike)	Manager	1670	MES3
3676	Tritico, J. E. (Joan)	Sr. Pipeline Analyst	1668	JET2

Business Services FAX: SSN 421-2844. Confirmation Number: SSN 421-3155 or 421-3028.

ENVIRONMENTAL & TECHNICAL

4506	Sherwin, G. H. (Gene)	Manager	1462	GHS2
4507	Vasquez*, S. M. (Sheila)	Senior Secretary	1464	SMV

LEGISLATIVE & REGULATORY AFFAIRS

6262	Hays, M. D. (Mike)	Sr. Staff Engineer	1460	MDH1
3110	Broussard, C. G. (Gweneyette)	Pipeline Specialist	1466	CGB1
5334	Zimmerman, G. L. (Gary)	Senior Engineer	1450	GLZ

ENVIRONMENTAL

520-				
3374	Alexander, L. W. (Larry)	Supervisor HS&E	Anaheim	LWA
2011	Gould, J. A. (Jessica)	Associate Engineer	1452	JAG9
1964	Forrest, K. J. (Kevin)	Engineer	1451	KJF1
6037	Franceschini, T. J. (Tim)	Sr. Pipeline Specialist	1456	TJF4
4954	Schmidt, L. J. (Laurie)	Associate Engineer	1454	LJS5

LAND

3847	Ryman, R. G. (Roger)	Manager	1420	RYMAN
3868	Calvo*, J. (Joe)	Secretary II	1416	JC45
4751	Harvey, A. P. (Annie)	Land Records Assistant	1413	APH
6673	Hatley, V. K. (Val)	Staff Land Agent	1408	VKH
3380	Jackson, W. J. (Joe)	Staff Land Agent	1406	WJJ1
3998	Kennedy, M. A. (Mary)	Clerk I	1413	MARYK
3848	Martinez*, C. L. (Carmen)	Administrative Secretary	1416	CARM
3485	Paul, E. F. (Ed)	Staff Land Agent	1414	EFP
3867	Wallace, P. E. (Paul)	Staff Land Agent	1422	PEW2
3697	Wallace, W. J. (Wanda)	Land Records Analyst	1413B	WJW4
4492	Warden, A. (Arlene)	Senior Land Agent	1410	AWARDEN

(Continued On Page 4)

\* = 5520 Address (See Page 8)

<u>SSN</u> <u>421-</u>	<u>NAME</u>	<u>TITLE</u>	<u>TSP</u> <u>ROOM</u>	<u>PROFS</u> <u>NICKNAME</u>
<u>ENVIRONMENTAL &amp; TECHNICAL (Continued)</u>				
3417	Sawyer, T. F. (Tom)	Sr. Pipeline Analyst	1430	TFS1
<u>TECHNICAL ANALYSIS</u>				
6884	Bohlen, T. V. (Twiggy)	Senior Engineer	1472	TVB
2664	Miller, M. R. (Mike)	Senior Engineer	1468	MRM7

Environmental & Technical FAX: SSN 421-1124. Confirmation Number: SSN 421-4507.  
 Environmental & Technical - Land FAX: SSN 421-0271. Confirmation Number: SSN 421-3868.

---

COMPUTER SERVICES

7048	Green, T. E. (Tom)	Manager	1480B	TEG1
5707	Beaudrot, V. (Virginia)	Contract Employee	1467C	
6455	Boswell, D. S. (Debbie)	Systems Analyst	14100	DSB2
5824	Byrd, Jr., W. H. (Bill)	Sr. Pipeline Specialist	1494	WHB
4435	Christensen, B. (Brad)	Contract Employee	1543	
7130	Coats, J. R. (Jim)	Sr. Pipeline Analyst	14104	JRC14
4430	Company***, L. (Louis)	Contract Employee	1455	
4440	Dickson**, R. (Richard)	Contract Employee	1455	RD1
7152	Ecklin*, R. J. (Ronay)	Senior Secretary	1480	RJE4
1429	Gillett, J. M. (Janet)	Pipeline Analyst	1488	JMG5
7151	Hass, J. S. (Scott)	Pipeline Engineer	1486	HASS1
5243	Heydon**, A. (Andy)	Contract Employee	1455	
0057	Jackson, T. W. (Tonja)	Analyst	1498	TWJ
5243	Kirk, S. (Steven)	Contract Employee	1546	
7147	Krystyniak, B. (Bernie)	Sr. Financial Rep.	1480C	BK
2928	Lankford, P. L. (Phil)	Sr. Financial Rep.	14102	PLL
4440	Macaulay**, A. (Alistar)	Contract Employee	1542	
4856	Manney, G. A. (Gary)	Staff Engineer	1492	GAM
2052	McMillan**, D. (Dave)	Contract Employee	1483	
5843	Meline**, S. (Sonia)	Analyst	1491	SKM4
5707	Rai, V. (Veena)	Contract Employee	1467C	
1060	Reed**, R. (Bob)	Contract Employee	1485	RAREED
4430	Seiter, P. (Philip)	Contract Employee	1544	
3718	Smith**, D. (David)	Contract Employee	1467B	
2482	Tabor**, W. R. (Chip)	Contract Employee	1493	
4435	Thomas, L.	Contract Employee	1543	
6046	Tower, N. A. (Nicolle)	Analyst	1490	NAT

Computer Services FAX: SSN 421-1124. Confirmation Number: SSN 421-7152.

\* = 5520 Address (See Page 8)

\*\* = Temporary Assignment

DDMDD126801-KFP - 0004.1.0

8/1/92

<u>SSN</u> 421-	<u>NAME</u>	<u>TITLE</u>	<u>TSP</u> <u>ROOM</u>	<u>PROFS</u> <u>NICKNAME</u>
<u>TREASURY (Continued)</u>				
3865	Fontenot, H. P. (Huey)	Accountant	1661	HUEY
3735	Hom, L. M. (Laurie)	Accountant	1663	LHOM
5773	Johnson, P. N. (Paul)	Section Supervisor	16102	PAUL
3764	Miller, R. A. (Rachael)	Sr. Accounting Asst.	1655	RAM02
3805	Moras, A. A. (Angie)	P/L Accountant	1653	AAM1
5751	Muckelroy, F. E. (Frances)	Sr. Fin. Specialist	1694	FEM
1598	Rhodes, K. D. (Kim)	Accountant	1697	KDR1
3891	Robinson, C. A. (Cynthia)	Sr. Accounting Asst.	1693	CAR02
5335	Sitterly, D. C. (Darcy)	Section Supervisor	1679	DCS4
5470	Stripling, J. (Jeanetta)	Accounting Assistant	1677	STRIP

FINANCIAL ANALYSIS & REPORTS

2039	Keel, D. A. (Dennis)	Manager	16106	DAK4
3992	Brown, P. T. (Pat)	Sr. Financial Rep.	16100	PTB
5465	Chisholm, G. A. (Gary)	Financial Rep.	1696	GAC1
3504	Lutz, G. R. (Gary)	Staff Financial Rep.	16104	GRL
5111	Vandegrift, W. G. (Bill)	Sr. Financial Rep.	16102	WGV
1246	Watson*, F. L. (Lucille)	Admin. Secretary	16101	FLW2
2761	Westermann, S. H. (Steve)	Sr. Financial Rep.	1698	SHW1

Treasury FAX: SSN 421-3651. Confirmation Number: SSN 421-4634.

Accounting (15th Floor) FAX: SSN 421-3651. Confirmation Number: SSN 421+Sender's Extension.

Accounting (16th Floor) FAX: SSN 421-2844. Confirmation Number: SSN 421+Sender's Extension.

Financial Analysis & Reports FAX: SSN 421-2844. Confirmation Number: SSN 421+Sender's Extension.

MISCELLANEOUS CONTACTS/INFORMATION

(See Page 8)

\* = 5520 Address (See Page 8)

# Shell Pipe Line Corporation

## Invoice Processing

Key Contacts and Services

### Contacts

Job Function	Name	Phone	Room	Profs
Manager	Ed Alfaro	8620	2024 SMT	EA35
Process Team Leader	Scot Hedrick	8645	2554C SMT	SAH9
Process Support Representative	Tarita Benson	9987	2574C SMT	TLB5
Accountant	Steven Dear	9988	2582B SMT	SKD2
Auditor	Lee Glaspie	9991	2572C SMT	LYG
Processor – Mid – Continent	Debra Carter	9989	2570C SMT	DDC
Processor – Mid – Continent	Gloria Jones	8099	2570B SMT	GLORIA
Processor – Mid – Continent	Frank Bauer	8297	2570A SMT	FRANK
Processor – West Coast	Doris Clark	9297	2578B SMT	DJC02
Processor – West Coast	Cassandra Crump	8377	2578A SMT	CASS
Processor – Head Office	Linda Orange	9312	2580B SMT	LGO1
Processor – Head Office	Lien Mai	9321	2580A SMT	LHM5
Processor – Gulf Coast	Ismael Mendez	9298	2574B SMT	IEM
Processor – Gulf Coast	Nina Romero	9299	2572B SMT	AMR4
Processor – Gulf Coast	Delbert DeFlora	9940	2574A SMT	DED1
Processor – Gulf Coast	Linda Dettman	9301	2572A SMT	LINDA
Processor – Central	Bea Cotten	9986	2568C SMT	MBC
Processor – Central	David Rosas	9724	2568A SMT	DRJ2
Processor – Central	Lori Talbert	9934	2568B SMT	LJT1

### Services

#### Cash Audit Requests

Request	Send To	Conditions
Mail	SMT 1921	None
Phone	SSN 421 – 8534	Limit: 5 files per call
Profs	Nickname – 'INVOICE'	Limit: 10 files per note
Fax	SSN 421 – 8532	Up to 100 Files

#### Customer Service Hotline

1 – 800 – FOR – PYMT  
241 – 8339

#### Expense Statements Contact

John Crivellari    TSP 1569    241 – 5477

#### Invoice Processing Fax

241 – 8845

ENGINEERING PRODUCTS  
GENERAL ENGINEERING PERSONNEL  
TWO SHELL PLAZA \*

EXT.	NAME	PROFS	ROOM
1999	Abernathy, G. W. (Gene)	GWA	13110
2169	Akers, L. R. (Larry)	LRA1	1341
1713	Ambler, W. C. (Bill)	WCA1	1398
3789	Anderson, S. (Scott)	SKA1	1378
1937	Banks, R. A. (Richard)	BANKS	1319
5919	Barry, D. W. (Don)	DWB1	1322
3535	Berkeland, W. D. (Bill)	WDB	1338
2262	Berry, C. W. (Bill)	CWB2	1304
3948	Bertrand, G. C. (Craig)	GCB1	13105
5611	Bertus, J. J. (Jim)	BERTUS	1337
3119	Blome, B. A. (Bruce)	BAB5	1344
6875	Boecker, C. W. (Carroll)	CWB1	1380
3638	Bowen, M. D. (Mark)	MDB2	13118
1140	Brewster, D. (Dan)	DB	1388
7411	Bried, F. (Rick)	FB1	1368
4600	Burton, P. M. (Pearl)	PMB1	1300A
3638	Butcher, L. G. (Lloyd)	LBUTCHER	13118
4034	Cambio, M. R. (Mark)	MRC1	13115
2434	Carrere, D. A. (David)	DCAR	1396
2669	Coyne, M. J. (Mike)	MJC3	1332
4870	Craig, R. R. (Richard)	RRC3	1384
6864	Culpepper, D. O. (Orville)	DOC	1314
3638	Culwell, S. R. (Stan)	STAN21	13118
4667	Dobbs, R. H. (Robert)	RHD1	13102
1632	Duplechain, R. K. (Russell)	RKD	13101
2364	Ecksteln, M. L. (Mike)	MLE1	1342
3398	Evans, D. H. (David)	DHE1	13117
3603	Ewing, R. A. (Bob)	RAE1	1340
0461	Fischer, F. E. (Fred)	FEF3	1308
1345	Fischer, R. D. (Ron)	RDF1	1372
0352	Garrison, L. D. (Lloyd)	LDG	1386
3100	Gaskill, B. D. (Diane)	BDG2	1380A
1076	Gilchrist, R. T. (Robert)	ROBERT1	1334
3888	Gross, J. E. (Jim)	JEG2	1306
5394	Hachen, J. E., Jr.	JEH1	13106
4695	Ingram, S. A. (Sue)	SAI	1309
1618	Johnston, S. R. (Stuart)	SRJ2	1348
0349	Kopp, F. (Frans)	FK1	1328
3933	Kunz, D. C. (Dennis)	DCK1	1394
1846	Kyrish, J. L. (Jerry)	JLK2	1326
5338	Light, B. D. (Bruce)	BDL2	1336
2717	Lower, P. R. (Paul)	PRL1	1366
4355	Lumen, L. D. (Lydia)	LDL1	1323
3493	Martinez, M. (Mario)		1389E
1294	McCarron, J. K. (John)	JKM	13112
4024	McHenry, J. E. (Jill)	1JEM	1312
5815	Miller, J. D. (Dave)	JDM7	1320
5157	Milton, M. S. (Madeline)		1389H
2838	Mulder, C. S. (Coenraad)	CSM6	1399
3525	Nichols, P. R. (Paul)	PRN1	13108
0899	Perkins, G. G. (Gary)	GGP1	13116
2047	Ross, J. P. (Peyton)	JPR1	13114
3638	Rucker, R. L. (Bob)	BRUCKER	13118
2818	Russian, J. E. (Juan)	JUANR	1351B
3533	Smith, J. (Nita)	JS1	1320A
5218	Smith, L. (Louie)	LS	1346
4132	Smith, M. A. (Mark)	MAS3	1305
6645	Smith, S. B. (Sharon)	SBS	1391
4549	Smith, S. G. (Sid)		1385
1512	Stassi, M. J. (Matthew)	MSTASSI	1343
3484	Stephens, R. L. (Robert)	RLS1	1390
4609	Swank, J. C. (Jack)	JCSWANK	1300
3638	Tharp, R. W. (Bobby)	BTHARP	13118

EXT.	NAME	PROFS	ROOM
5526	Thompson, J. R. (John)	JRT1	1350
6911	Triffo, D. A. (Dale)	TRIFFO	1392
3759	Vaughn, R. R. (Randy)	RRV	13113
1354	Vecsey, A. T. (Andy)	ATV	13104
4825	Wheeler, M. D. (Mike)	MDW1	13100
0570	Williams, F. E. (Freddie)	FEW	1307
1201	Williams, V. T. (Tom)	VTW1	1330
2477	Wolter, D. G. (Duane)	DGW1	1376
2433	Wright, D. H. (David)	DWRIGHT	1310
4451	Zoller, B. U. (Buz)	BUZ	1316

CONTRACT

5726	Hughes, R. (Rudy)	RHUGHES	13107
5917	Hunter, B. (Bill)	HUNTER	1395
5917	Sims, J. L. (Larry)	JLSIMS	1395

HUMAN RESOURCES

1786	Menefee, D. G. (Doris)	DGM2	1987 OSP
5491	Coon, K. D. (Ken)	KDC2	1986 OSP
5057	MEDICAL – Emergency		1001 OSP
4773	SECURITY		2166 OSP
6361	OMNIFAX (Auto)		1357 TSP
3517	OMNIFAX (Auto)		13119 TSP

AMEX TRAVEL SERVICES

655-9222	Domestic	3060 MB
655-9311	International	3060 MB
655-7232	Personal	3060 MB
5064	Mail Center	02 OSP
4060	Hyatt Regency Garage	1-B Level

SPLC PURCHASING

1769	Baker, C. (Conswello)		1362A
1086	Leghild, S. (Said)	SL2	1358
1160	Maybee, R. M. (Rod)	RMM7	1356

PERSONAL DIRECTORY

CMS HELP DESK	795-2255
OFFICE SUPPORT	1-5693

---

---

---

---

---

---

---

---

\* 13TH FLOOR – TSP  
777 WALKER  
HOUSTON, TX 77002

CONTROL ENGINEERING  
PIPELINE CONTROL SYSTEMS

Shell Oil Company  
Two Shell Plaza  
P. O. Box 2099  
Houston, Texas 77252-2099

SSN	NAME	TITLE	TSP ROOM	PROFS NICKNAME
421-				
2080	Bliss, R. E. (Robert)	Systems Analyst	1184	REB8
4181	Cooke, E. F. (Ed)*	Staff Engineer	1188	EFC
5124	Darwin, R. C. (Bob)	Manager	1180	RCD1
1142	Dupree, J. N. (Joyce)	Administrative Secretary	1182	JND1
2016	Eichler, M. J. (Milt)*	Staff Engineer	1162	MJE1
4486	Funke, D. R. (Dale)	Senior Engineer	1172	DRF1
2004	Guidry, C. M. (Chad)	Process Control Engineer	1154	CMG
1714	Lewis, J. E. (Elvin)	Senior Engrg. Asst.	1155	JEL5
1903	Manley, M. J. (Mike)	Process Control Engineer	1174	MJM4
2160	Melikian, M. R. (Mike)	Process Control Engineer	1150	MRM5
3360	Naser, S. R. (Sayed)	Process Control Engineer	1152	SRN1
1329	Rieger, R. L. (Rich)	Specialist	1156	RLR4
2248	Roach, N. G. (Nancie)	Senior Clerk	1189	NGR
8095	Schaffner, S. D. (Stephen)	Process Control Engineer	1168	SDS4
1827	Williams, R. E. (Bob)	Senior Engineer	1186	REW5

\* Project Leader

IBM 5520 Node - 421BQ                      Local Address      FM

Telecopier (FAX) number:                      (713) 241-3984

Parcels or Federal Express:                      777 Walker  
Houston, Texas 77002

JULY 1, 1992



**MANAGER  
COMMUNICATIONS TECHNOLOGY**

---

**J. J. MARSH (JOE)**

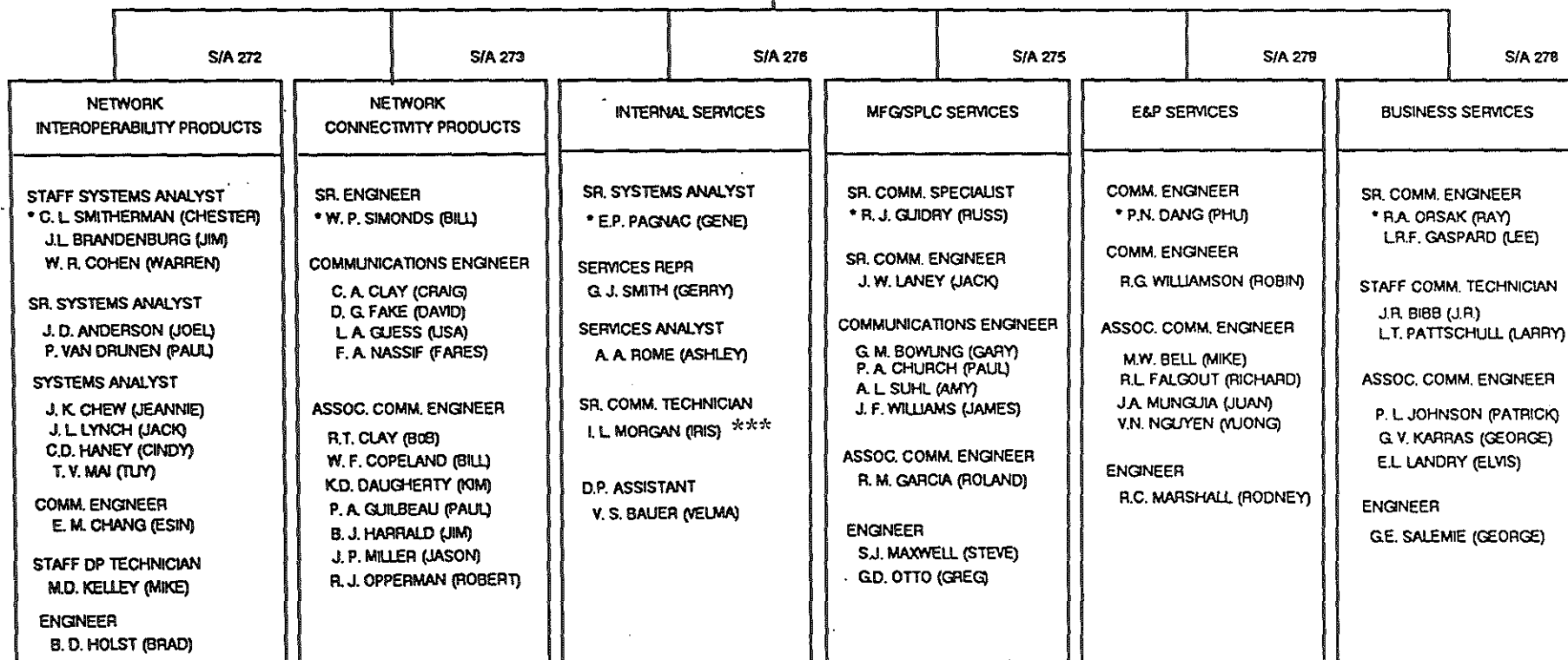
S/A 271

S/A 271

**ADMINISTRATION**

---

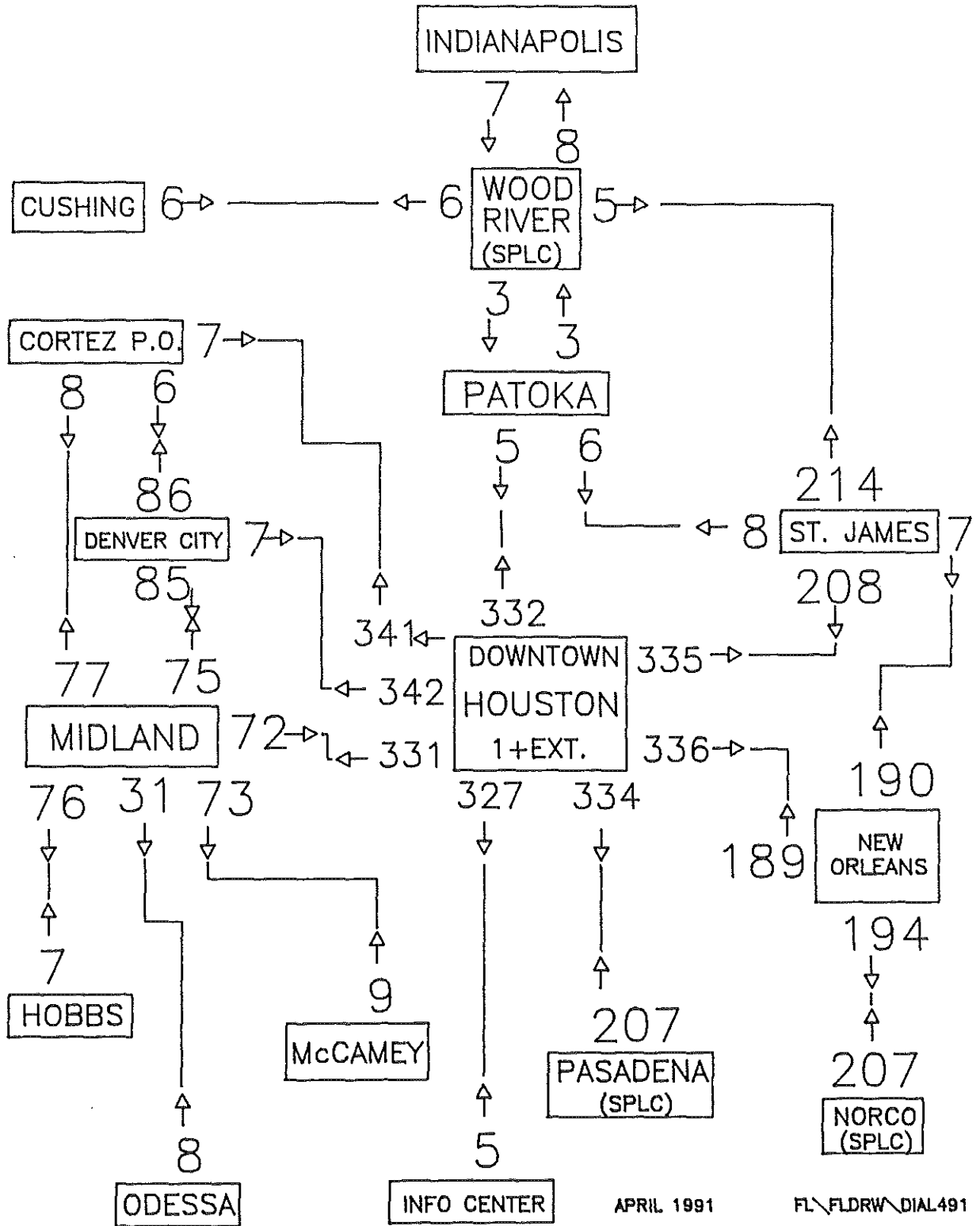
SR. SECRETARY  
V. A. IRVINE (VICTORIA)



\*\*\*I. L. MORGAN IS THE FCC CONTACT

SHELL STAFF      55  
 PART-TIME (EFT)    0  
 CONTRACT (EFT)    0

# SHELL PIPE LINE DIALING DIAGRAM



SHELL PIPE LINE CORPORATION

GULF COAST DIVISION

One Shell Square  
701 Poydras Street  
New Orleans, Louisiana 70139

LOCATION ROSTER

JULY 16, 1992

<u>NAME</u>	<u>PROFS NICKNAME</u>	<u>TITLE</u>	<u>EXT.</u>
DIVISION OFFICE - P. O. BOX 52163, NEW ORLEANS, LOUISIANA 70152			
504/588-4822 - SSN PREFIX 442 FAX 588-7561			

---

Administrative

Van Laere, R. J. (Dick)	RJVL	Division Manager	4474
Flowers, M. E. (Marilyn)	MEF1	Cellular Phone 504/583-3419 Administrative Secretary	4822

Technical

Richardson, J. R. (Jim)	JRR1	Technical Superintendent	4825
Gautreau, L. P. (Lonnie)	LPG	Sr. P/L Analyst	4834
Duncan, C. E. (Gene)	CED	Sr. P/L Analyst	4388

Engineering

Dokianos, W. P. (Bill)	WPD	Staff Engineer	6505
Boldra, D. J. (Jerry)	DJB3	Senior Engineer	4473
Hosokawa, M. W. (Mike)	MWH1	Associate Engineer	4681
Kaczmarski, G. R. (Gayle)	GRK1	Associate Engineer	8051
Landreville, S. J. (Steve)	SJL1	Associate Engineer	8050
Roberts, J. L. (Jim)	JLR4	Associate Engineer	4672
Stamp, D. T. (Dan)	DTS1	Associate Engineer	4684
Craig, M. W. (Matt)	MWC1	Engineer	6573
Harrison, K. D. (Karl)	KDH1	Engineer	4102
Holmes, S. M. (Sam)	SMH2	Engineer	6094
Martin, M. A. (Andy)	ANDY2	Engineer	4829
Miner, K. A. (Kate)	KAM02	Engineer	4846
Wincheski, R. A. (Rick)	RAW2	Engineer	4685
Hoecherl, J. L. (Jim)	JLH14	Sr. Engineering Asst.	7321
Ezell, B. D. (Bobby)	BDE	Senior Drafter	4990
Bourg, T. M. (Tanya)	BOURG1	Sr. Clerk	4826

CONFIDENTIAL

<u>NAME</u>	<u>PROFS NICKNAME</u>	<u>TITLE</u>	<u>EXT.</u>
<u>Administrative Services</u>			
Genter, M. S. (Mike)	MSG1	Administrative Supvr.	4824
<u>Financial</u>			
Gravley, V. J. (Ronnie)	VJG3	Pipeline Accountant	4487
Gutherz, R. M. (Robert)	RMG3	Accountant	4491
Barbin, D. S. (Debbie)	DSB1	Office Assistant	4487
Bell, E. J. (Evelyn)	EJB1	Clerk II	4686
<u>Purchasing</u>			
Morrison R. A. (Richard)	RAM2	Purchasing Supervisor	6591
Relfe, W. A. (Bill)	WAR2	Analyst	
Abbott, J. M. (Jeanne)	JMA1	Purchasing Assistant	4823

SHELL PIPE LINE CORPORATION  
EASTERN DISTRICT - GULF COAST DIVISION

LOCATION ROSTER

JULY 16, 1992

<u>NAME</u>	<u>PROFS NICKNAME</u>	<u>MOB UNIT</u>	<u>TITLE</u>	<u>EXT.</u>
DISTRICT OFFICE - P. O. BOX 340, NORCO, LOUISIANA 70079 (Airline Hwy. - Hwy. 61) 504/465-7029 - (NMC) 504/465-7029 FAX 588-8485				
Schneider, A. M. (Allan)	AMS4		District Supt. Cellular Phone 504/583-4917	4537
Davis, L. A. (Bud)	LADAVIS		Sr. Operations Assistant	8386
Bourgeois, R. J. (Ronald)	RJB12	724	HS&E Representative	4538
McDonald, A. H. (Allison)	AHM1		Secretary I	4488 NMC7029
Beard, J. M. (Mike)	JBEARD	743	Sr. P/L Analyst (Beeper 566-2809)	4478
NORCO CONTROL CENTER - P. O. BOX 340, NORCO, LOUISIANA 70079 (Airline Hwy. - Hwy. 61) 1-800-852-7614 - (N.O.) 504/588-7839 - Kenner Listing 504/443-7614 (NMC) 504/465-7076				
Dufresne, O. J. (Jun)	OJD1	734	Operations Supvr.	7907
Hayes, G., Sr. (Gerald)	GH1	774	Spvr. Oil Mvmts.	4539
Goertz, M. D. (Mike)	MDG1		Asst. Supvr. Oil Mvmts.	8457
Allgaier, F. F. (Fred)	NORC1		Oil Mvts. Contrlr	7839
Foster, R. H. (Russell)	"		Oil Mvts. Contrlr	7839
Phelps, G. I., Jr. (George)	"		Oil Mvts. Contrlr	7839
Saunier, T. F. (Tal)	"		Oil Mvts. Contrlr	7839
Tennimon, E. L. (Errol)	"		Oil Mvts. Contrlr	7839
Duncan, R. T. (Robert)	"		Oil Mvts. Contrlr "B"	7839
Wilcoxson, J. N. (Jeff)	"		Oil Mvts. Contrlr "B"	7839
Duhe, S. L. (Sharon)	SLD12		Sr. Clerk	8812
NORCO COMMUNICATIONS - P. O. BOX 340, NORCO, LOUISIANA 70079 (Airline Hwy. - Hwy 61) 504/588-4540 - (NMC) 504/465-7046				
Dauenhauer, M. E. (Malcolm)	MED1	777	Sr. Comm. Tech.	4540 or
Lush, G. B. (Gordon)	GBL2		Comm. Tech.	4536 or NMC7046

CONFIDENTIAL

<u>NAME</u>	<u>PROFS NICKNAME</u>	<u>MOB UNIT</u>	<u>TITLE</u>	<u>EXT.</u>
-------------	---------------------------	---------------------	--------------	-------------

BARATARIA STATION (Hwy. 45, Crown Point, LA)  
BOX 755, HARVEY, LOUISIANA 70058  
504/689-2336

---

Howard, E. L. (Eddie)	ELH02	741	Corrosion Tech.	7942
-----------------------	-------	-----	-----------------	------

SOUTHWEST PASS  
BOX 487, BLK. 24, VENICE, LOUISIANA 70091  
504/534-7415

---

7838  
193-62

MAIN PASS BLK. 35 (SOC)	7830
MAIN PASS BLK. 69	7840 or 8068 (SPLC), 7852 (S01)
PILOTTOWN	191-252 or 7919
GULF OSTRICA	657-7790
PELICAN ISLAND	7837

NAIRN OPERATIONS (3 mi. above Empire drawbridge, Hwy. 23)  
P. O. DRAWER 350, EMPIRE, LOUISIANA 70050  
504/657-7697 FAX 588-4498

---

Smith, R. S. (Stan)	RSS5	794	Oper. Foreman	7835/6
Bergeron, B. P. (Brian)			Sta. Attend.	or
Jones, J. W. (Jerry)			Sta. Attend.	4499
Morel, A. J. (Tee)			Sta. Attend.	
Puderer, F. C. (Fletcher)			Sta. Attend.	
McBride, N. S. (Nancy)	NSM1		Sr. Clerk	

NAIRN CRAFT MAINTENANCE  
(3 mi. above Empire drawbridge, Hwy. 23)  
P. O. DRAWER 350, EMPIRE, LOUISIANA 70050  
504/657-7697

---

Poche, M. J. (Mark)	MJP4		Elec. Tech.	8356
Rodriguez, R. (Robert)			Elec. Tech.	or
Baggett, F. L. (Frank)	FLB3	794	Mech. Tech.	8355
Keeler, R. E. (Rafe)			Mech. Tech.	7836
Davis, M. W. (Mark)	MWD1		Mtr. Meas. Tech.	191-297
Savoy, H. A. (Hank)	HAS1		Mtr. Meas. Tech.	7836
Smith, C. M. (Carlos)	CMS1		Mtr. Meas. Tech.	
Tranchina, M. G. (Mike)	MGT		Comm. Tech.	7835
Winans, D. W. (Doug)			Mech. Tech. "C"	

CONFIDENTIAL

<u>NAME</u>	<u>PROFS NICKNAME</u>	<u>MOB UNIT</u>	<u>TITLE</u>	<u>EXT.</u>
NAPOLEONVILLE CRAFT MAINTENANCE (4½ Miles West of Hwy #1 on Hwy 70) BOX 411, PAINCOURTVILLE, LA 70391 504/369-9600 or 369-9610 FAX 504/369-9690				

Parent, C. A. (Charlie)	CAP4		Corr. Tech.	369-9679
Ordoyne, K. G. (Keith)	KGO		Electrical Tech.	369-9662
Aucoin, G. J. (Gilday)	GJA02	790	Mech. Tech.	369-9662
Marler, D. F. (David)	DFM	755	Mtr. Meas. Tech.	369-9662
Dabney, R. (Ronald)			Operator	
Lewis, L. (Lionel)			Operator	
Nelson, S. M. (Spencer)			Operator	
Sharat, G. A. (Greg)			Operator	

NAPOLEONVILLE/SORRENTO MAINTENANCE  
P. O. BOX 188, SORRENTO, LA 70778  
504/588-7945 FAX 504/369-9690

Callahan, B. J. (Barney)	BJC1	771	Mtce Foreman	7948
Broussard, E. J. (Ernie)			Lead Pipeliner	7945
Rachal, J. D. (Joe)			Pipeliner/Trk.Dr.	
Babin, R. J. (Ricky)			Pipeliner	
Cochran, A. L. (Tony)			Pipeliner	
Janwich, D. R. (David)			Pipeliner	
Moses, S. W. (Stanley)			Pipeliner	

SHELL PIPE LINE CORPORATION  
CENTRAL DISTRICT - GULF COAST DIVISION

LOCATION ROSTER

JULY 16, 1992

<u>NAME</u>	<u>PROFS NICKNAME</u>	<u>MOB UNIT</u>	<u>TITLE</u>	<u>EXT.</u>
DISTRICT OFFICE (6770 LA 18)				
P. O. BOX 63, ST. JAMES, LOUISIANA 70086				
504/473-7842	FAX 588-8298		* 1-800-443-7243	
Ezzell, W. C. (Bill)	WCE		District Manager Cellular Phone 504/583-6109 *Beeper # 052584	7834
Brown, M. R. (Marion)	MRBRO	6	Sr. Operations Asst	8299
Bourgeois, D. B. (Debbie)	DBB1		Admin. Secretary	8370
Schexnayder, D. A. (Doug)	DAS3	776	Pipeline HS&E Assistant Cellular Phone 504/448-6158	7899
ST. JAMES CONTROL CENTER & OPERATIONS (6770 LA 18)				
P. O. BOX 63, ST. JAMES, LA 70086				
1-800-852-8144 - 504/473-8144 - (N.O. Exchange) 504/588-4832 FAX 588-8296				
Brown, G. W. (Gary)	BROWN1	51	Spvr. Oil Mvts.	7903
Yandell, G. W. (Gerald)	GWY1	18	Asst. Supvr. Oil Mvmts.	7900
Adams, J. T., Jr. (Tommy)			Oil Mvts. Cntrlr.	
Bridgeman, J. C. (John)			Oil Mvts. Cntrlr.	
Gravois, W. R. (Wayne)			Oil Mvts. Cntrlr.	4832
Partney, C. H. (C.H.)			Oil Mvts. Cntrlr.	
Waukau, M. F. (Merv)			Oil Mvts. Cntrlr.	
Black, R. A. (Ruth Ann)			Oil Mvts. Cntrlr. "B"	
LeBlanc, D. A. (Debbie)	DAL3		Office Assistant	8295
Amedee, R. A. (Richard)			Terminal Agent	
Scioneaux, P. R. (Paul)		23	Terminal Agent	4831
Bourgeois, E. C. (Eddie)			Operator	
Braud, G. J. (Gerald)			Operator	8387
Ellis, T. B. (Tania)			Operator	
Geason, A. J. (Albert)		46	Operator	"
Hymel, L. J. (Leslie)			Operator	"
Landreneau, R. B. (Robert)			Operator	"
Landry, A. (Alvin)			Operator	"
Landry, M. S. (Mark)			Operator	"
Nicholas, L. A. (Lucretia)			Operator	"
Parker, S. L. (Stacy)			Operator	"
Wilson, L. H. (Leo)			Operator	"
Winchester, K. J. (Kenneth)			Operator	"



CONFIDENTIAL

EUGENE ISLAND BLK. 188 (SPLC) 588-7932 (SOI) 588-7876  
SHIP SHOAL BLK. 28 588-7980 192-282  
SOUTH MARSH ISLAND 58 588-7926

<u>NAME</u>	<u>PROFS NICKNAME</u>	<u>MOB UNIT</u>	<u>TITLE</u>	<u>EXT.</u>
-------------	---------------------------	---------------------	--------------	-------------

GIBSON CRAFT MAINTENANCE - 5317 Bayou Black Drive (Hwy. 90 East, Gibson)  
P. O. Box 491, GIBSON, LOUISIANA 70356  
504/575-3550

Thibodeaux, K. J. (Kevin)		15	Elec. Tech.	8974 or
Landry, G. P. (Greg)			Mech. Tech.	7780
Schwab, N. A. (Nick)	NAS3	20	Mech. Tech.	
Carter, D. M. (Mike)			Comm. Tech.	8156 or
Grobe, G. E. (Buddy)	GEG		Mtr. Meas. Tech.	7998
Zeringue, R. S. (Randall)	RSZ		Mtr. Meas. Tech.	192-296
Cazenave, D. M. (Dennis)			Mtr. Meas. "C"	
Dagle, B. A. (Burke)			Mtr. Meas. "C"	
Wells, E. A. (Eric)			Corr. Tech. "C"	

GIBSON MAINTENANCE CREW (Hwy. 90, Gibson)  
P. O. BOX 491, GIBSON, LOUISIANA 70356  
504/575-2551

Lamaison, L. P. (Larry)	LPL	62	Maintenance Foreman	8982
			Cellular Phone 504/854-7940	
Braud, J. E. (Jody)		32	Pipeliners	192-296
Felder, T. L. (Terry)			Pipeliners	
Gauthreaux, J. H. ( )			Pipeliners	
Grabert, C.F. (Cliff)			Pipeliners	
Morris, D. A. (Dwayne)			Pipeliners	
Sanchez, J. (Joel)			Pipeliners	
		114	Mtce. Boat	

LAFAYETTE CORROSION  
P. O. BOX 30116, LAFAYETTE, LA 70593 (2927 East Hwy. 90, Broussard, LA 70518)  
318/837-3227 FAX 318-837-6433

14, 43  
& 316 8547

PINE GROVE STATION (6 1/2 mi. S. of Pine Grove, Hwy. 449)  
504/777-4500

8371

CONFIDENTIAL

<u>NAME</u>	<u>PROFS NICKNAME</u>	<u>MOB UNIT</u>	<u>TITLE</u>	<u>EXT.</u>
-------------	---------------------------	---------------------	--------------	-------------

YAZOO STATION (2 mi. E. of Benton, 3/4 mi. S. of Hwy. 16)  
P. O. BOX 58, BENTON, MISSISSIPPI 39039  
601/673-9160

---

Walker, D. L. (D.L.)		9	Mech. Tech.	8465
Churchill, J. T. (Jim)		22	Comm. Tech.	

CARROLLTON STATION  
504/588-8466

---

OAKLAND STATION  
ROUTE 1, BOX 185, SCOBEEY, MISSISSIPPI 38953  
601/647-5023

---

Baker, R. A. (Rex)		49	Sta. Attend	8467
Pitts, K. R. (Ken)		4	Elec. Tech.	

SARDIS STATION  
504/588-8791 - (Bell No. 601/487-1791)

---

COLLIERVILLE STATION  
BOX 187, COLLIERVILLE, TENNESSEE 38017  
601/895-3604 FAX 504/588-8793

---

Medus, B. F. Jr. (Sonny)		112	Sta. Attend.	8792
Robertson, C. C. (Chris)			Lead Pipeliner	
Byrne, C. E. (Ed)			Pipeliner	

MEMPHIS - 774 Chaney Drive  
P. O. BOX 1597, COLLIERVILLE, TN 38017  
901/853-4315 FAX 901/853-5943 Maintenance Crew 901/854-5909

---

Westrope, A. F. (Al)	AFW		Operations Supervisor	8794
			Cellular Phone 901/485-4950	
Singleton, J. L. Jr. (John)			Pipeliner	

DYERSBURG CRAFT MAINTENANCE  
P. O. BOX 337 (Old 51 & Samaria Bend Road)  
DYERSBURG, TN 38025  
901/286-4194 - FAX 901/285-6864 \* 1-800-443-7243

---

Sims, M. E. (Moe)	MES5	286	Electrical Tech.	768
Pager Number	* 051970			
Bohannon, M. L. (Mike)	MLB2	282	Mechanical Tech.	
Pager Number	* 052008			
Huffman, R. G. (Robert)	RGH	211	Communications Tech.	768
Pager Number	* 031761			

CONFIDENTIAL

15

<u>NAME</u>	<u>PROFS NICKNAME</u>	<u>MOB UNIT</u>	<u>TITLE</u>	<u>EXT.</u>
PATOKA TERMINAL P. O. BOX 125 (Route 51 - North of Patoka) PATOKA, IL 62875 L. D. Number: 618/432-5XXXX - Shell Tie Line: (Trunk #) -XXXX - FAX 618/432-5760				
Emergency Number (ANSWERED BY ST. JAMES CONTROLLER)				1-800-852-8144
Thompson, L. D. (Larry)	LDT	292	Operations Supervisor	730
Pager Number 217/425-5363				
Coburn, W. R. Jr. (Bill)	WRC1	206	Asst. Operations Supvr.	740
Pager Number 217/425-5323				
Nelson, D. R. (Don)		276	Pipeline Operator	753 or 754
Neudecker, S. E. (Steve)			Pipeline Operator	
Steuer, S. A. (Scott)			Pipeline Operator	
Geiger, T. R. (Tim)			Pipeline Operator "A"	
PATOKA MAINTENANCE P. O. BOX 125 (Route 51 - North of Patoka) PATOKA, IL 62875 L. D. Number: 618/432-7169				
Feather, D. R. (Dave)	DRF2	278	Lead Pipeliner	727
Lutz, C. D. Jr. (Carl)	CDL2	278	Pipeliner-Truck Driver	
Kuhn, J. B. (Jeff)		277	Pipeliner-Welder	725
Pipeliner Pager Number 217/425-9450				
Gierten, M. J. (Mary Jane)	MJG5	278	Pipeliner	
Hubbell, C. D. (Carl)	CDH5	278	Pipeliner	
Offutt, P. B. (Phil)		278	Pipeliner	
Gordon, J. K. (John)			Pipeliner "A"	
Langhauser, M. F. (Mike)		278	Pipeliner "A"	
PATOKA CRAFT MAINTENANCE P. O. BOX 125 (Route 51 - North of Patoka) PATOKA, IL 62875 Technicians FAX 190-212-760				
				618/432-7169
				618/432-5398
Rippeee, T. E. (Tom)	TER3	210	Sr. Mech. Tech.	726
Petty, D. K. (Delbert)	DKP3	212	Electrical Tech.	729
Hudson, H. Jr. (Henry)	HUDSON		Corrosion Tech.	726
Freeman, L. P. (Phil)			Communication Tech	720
Lape, J. M. (Jeff)	JML3	283	Mtr. Meas. Tech.	737
Webb, W. J. (Bill)			Electrical Tech. "B"	719

SHELL PIPE LINE CORPORATION  
WESTERN DISTRICT - GULF COAST DIVISION

LOCATION ROSTER

JULY 16, 1992

<u>NAME</u>	<u>PROFS NICKNAME</u>	<u>MOB UNIT</u>	<u>TITLE</u>	<u>EXT.</u>
-------------	---------------------------	---------------------	--------------	-------------

DISTRICT OFFICE (1313 W. PASADENA FREEWAY)  
BOX 6426, PASADENA, TX 77506  
713/241-0614 FAX 189-1-1469/713-241-1469

Kite, D. J. (Dan)	KITE	390	District Manager Cellular Phone 713/882-6164	0613
Brown, M. A. (Mark)	MAB6	409	Pipeline Accountant	0615
Williams, C. J. (Cathy)	CJW2	392	HS&E Repr.	7031
Brignac, K. C. (Karen)	KAC		Senior Secretary	0614
Sanders, G. W. (Geoff)	GWS4	394	Land Agent	6843

PASADENA OPERATIONS  
BOX 6426, PASADENA, TEXAS 77506  
(Emergency Only - 1-800-852-3602) - 713/472-6456

Harvey, L. W. (Wayne)	LWH1	403	Operations Foreman	7390
Thomas, L. E. (Lydia)	LRE		Sr. Clerk	
Fernandez, A. (Albert)	GAU1		Operator	7141
Foster, E. (Ernest)	"		Operator	"
Galley, C. (Clyde)	"		Operator	"
Johnson, R. (Raymond)	"		Operator	"
Letbetter, V. R. (Vaughn)	"		Operator	"
Magana, T. Jr. (Trinidad)	"		Operator	"
Polasek, F. R. (Bob)	"		Operator	"

PASADENA CRAFT MAINTENANCE (COLEX)  
(1313 W. Pasadena Freeway)  
BOX 6426, PASADENA, TEXAS 77506  
713/477-1328

Terminal Building				7013
Burton, M. A. (Mike)	MAB1	370	Elec. Tech.	"
Matlock, J. D. (JD)	JDM2	371	Mech. Tech.	"
Moore, E. R. (Ellis)	ERM	357	Mech. Tech.	"
Carabajal, G.B. (Gerald)	GBC1	389	Mtr. Meas. Tech.	"
Luetkemeyer, D. L. (David)			Mech. Trainee	

<u>NAME</u>	<u>PROFS NICKNAME</u>	<u>MOB UNIT</u>	<u>TITLE</u>	<u>EXT.</u>
SINCO STATION	-	479-4800		
DART/REXENE	-	474-3354		
ROHM/HAAS	-	479-1811		
USI METER STA.	-	246-7094		
MONSANTO/DOW METER STA.	-	581-2161, Ext. 4683		
AMERICAN HOECHST METER STA.	-	474-9359		

MT. BELVIEU CHEMICAL OPERATIONS (10030 Hwy. 1942)  
 BOX 651, MT. BELVIEU, TX 77580  
 713/241-3853 FAX 241-5737

Higgins, R. W. (Bob)	RWH1	391	Operations Supvr.	7142
Williams, W. R. (Wayne)	WRW1	387	Mech. Tech.	7207
Randolph, F. G. (Fred)	FGR1	385	Comm. Tech.	7393
Vance, L. V. (Leo)	LVV	380	Elec. Tech.	
Wintill, C. (Chuck)	CW1	382	Mtr. Meas. Tech.	
Newnham, J. D. (Jerry)	JDN02	383	Corr. Tech.	
Vernon, Jr., O. (Osburn)	002		Corr. Tech. "B"	
Chumley, W. D. (Don)	CHUM	381	Operator	3853
Giroir, E. A. (Errol)			Operator	
Gresham, R. M. (Ron)			Operator	
Hipolito, F. (Frank)			Operator	
Tucker, L. (LeRoy)	LT1		Operator	
Guidroz, C. G. (Charles)			Pipeliner	

LAKE CHARLES MAINTENANCE  
 P. O. BOX 17043, EAST SIDE STATION, LAKE CHARLES, LA 70616-7043  
 503 BUNKER ROAD, LAKE CHARLES, LA 70601  
 318/439-9771 - 318/439-9772 - FAX 318/439-4601 1-800-262-6443

Oubre, T. M. (Todd)	TMO	378	Communication Tech.	
Benny, G. D. (Greg)	GDB1	410	Electrical Tech.	
Maynard, M. J. (Morgan)	MJM1	356	P/Ler-Trk. Driver	
		354	Pipeliner	

TL-103 LAKE CHARLES, CARLYSS, LA., 318/583-7278

TL-55 BEAUMONT STATION, 409/724-0209

PPG ETHYLENE LAKE CHARLES, COLUMBIA SOUTHERN ROAD, WEST LAKE, LA. 70669  
 318/882-0511

HIMONT METER STATION, LAKE CHARLES, LA, 318/882-1905

<u>NAME</u>	<u>PROFS NICKNAME</u>	<u>MOB UNIT</u>	<u>TITLE</u>	<u>EXT.</u>
-------------	---------------------------	---------------------	--------------	-------------

LIVINGSTON GAUGING  
BOX 786, LIVINGSTON, TEXAS 77351  
(Ctx-Schwab Cty) 409/327-5512

---

Parish, V. R. "Randy"	VRP1	369	Gauger	
-----------------------	------	-----	--------	--

HUFFMAN STATION  
(1215 Old Atascasita Rd., 3/4 of a mile West of Hwy. 2100)  
713/324-1691

---

SHERI, 1555 - HOUSTON STATION

HOPE-GOHLKE GAUGING (Intersection of Hwy. 77 & 111, Yoakum, TX)  
BOX 351, YOAKUM, TX 77995 (HOPE STA.)  
512/293-2052 FAX 512/293-7090

---

Bowen, D. P. (Pat)	DPB2	375	Gauger	
Soester, M. L. (Marvin)		407	Corr. Tech.	

FAYETTE STATION (7015)  
KATY STATION  
P. O. BOX 1205, SEALY, TX 77474  
409/249-3651

---

Godwin, T. L. (Tom)		408	Corr. Tech.	7014
---------------------	--	-----	-------------	------

GARFIELD STATION (4404)  
P. O. BOX 220, DEL VALLE, TX 78617 FAX # 713/241-1468  
(Willow City) 512/685-3301 - (Austin) 512/247-3800 - (Centrex) 713/241-5353

---

Griffith, J. E. Jr. (Jim)		398	Sta. Attend.	5353
---------------------------	--	-----	--------------	------

NEBO STATION  
P. O. BOX 226  
FREDERICKSBURG, TX 78029  
SSN 512/686-5375

---

Brewer, W. P. (Wiley)	WPB1	814	Sr. Comm. Tech.	7105
-----------------------	------	-----	-----------------	------

**SHELL PIPE LINE CORPORATION  
WEST TEXAS AREA NORTH  
TELEPHONE DIRECTORY  
AUGUST 1, 1992**

AREA OFFICE

P. O. Box 1910, Midland, TX 79702  
200 North Loraine, Midland, TX 79701  
L.D. Number 915/686-5200 SSN Number 686-5200  
FAX Number 915/686-5284

<u>NAME</u>	<u>TITLE</u>	<u>EXT.</u>	<u>PROFS</u>
-------------	--------------	-------------	--------------

ADMINISTRATION

D. Porras	(Dan)	Area Manager	5217	DP4
		Cellular Phone	915/559-6232	
D. C. Wauhob	(Deanna)	Senior Clerk	5342	DCW2

TECHNICAL

D. R. Rolstad	(Dan)	Technical Supervisor	5276	DRR2
J. J. Dollar	(Jason)	Engineer (Mechanical)	5259	JJD4
R. E. Coppock	(Rex)	Engineer (Electrical)	5285	REC
W. L. Langley	(Weldon)	Sr. Engineering Assistant	5234	WLL1
R. B. Lee	(Roland)	Engineering Assistant	5227	RBL1
J. G. Edwards	(Jerry)	Pipeline Analyst	5219	JGE1
D. C. Pollard	(Clayton)	Pipeline Analyst	5387	DCP3
G. E. Fourqurean	(George)	Corrosion Technician	5326	GEF
B. Montoya	(Ben)	Corrosion Technician	5347	BEN1
J. D. Moyers	(David)	Corrosion Technician	5331	JDM8
D. K. Riddle	(David)	Corrosion Technician	5221	DKR1
T. L. Gates	(Tom)	Communications Technician	5397	TLG5

OPERATIONS SUPPORT

D. K. Spencer	(David)	Operations Assistant	5316	DKS1
W. T. Eilek	(Bill)	HS&T Representative	5211	WTE1
P. F. Bales	(Peggy)	Sr. HS&E Assistant	5315	PFB1
L. J. Dawson	(Lennah)	HS&E Assistant	5250	LJD1

ADMINISTRATIVE SERVICES

C. D. Jackson	(Chris)	Administrative Lead	5324	CDJ1
T. T. Bennett	(Tammy)	Purchasing Assistant	5323	TTB1

MIDLAND CONTROL CENTER

L. D. Number 915/686-5359 or 1/800/345-1275  
FAX Number 915/686-5242

G. T. Hendrickson	(Guy)	Oil Movements Supervisor	5238	GTH1
		Cellular Phone	915/559-8693	
D. W. McCracken	(Don)	Ast Oil Movements Supvr	5243	DWM3
W. W. Cothran	(Wade)	Oil Movements Controller	5359	WWC1
C. L. Duncan	(Cheryl)	Oil Movements Controller	5359	DUNCAN
R. W. Huber	(Rich)	Oil Movements Controller	5359	3RWH
O. W. Langley	(Otis)	Oil Movements Controller	5359	OWL
W. L. Long	(Bill)	Oil Movements Controller	5359	WLL
M. G. Wren	(Montie)	Oil Movements Controller "B"	5359	MGW1
D. J. Clelland	(Danny)	Communications Technician	5364	DJC4
S. N. Whittington	(Nan)	Senior Clerk	5255	SNW

SHELL PIPE LINE CORPORATION  
WEST TEXAS AREA NORTH  
TELEPHONE DIRECTORY  
AUGUST 1, 1992

<u>NAME</u>	<u>TITLE</u>	<u>EXT.</u>	<u>PROFS</u>
-------------	--------------	-------------	--------------

DENVER CITY

Drawer BB, Denver City, TX 79323  
3 miles North of Denver City on hwy 214 building is on the left  
L. D. Number 806/592-2555 FAX Number 75-285

B. J. Rush	(Barney)	Operations Foreman	75-230	BJR
M. P. Holevinski	(Mike)	Ast. Operations Foreman	75-233	MPH1
E. D. Smith	(Eddie)	Maintenance Foreman	75-242	EDS1
C. J. Rowe	(Joe)	Sr. Electrical Technician	75-291	CJR4
P. A. Aronen	(Paul)	Electrical Technician	75-291	PAA
W. B. Boozer	(Bill)	Mechanic "B"	75-291	WBB
M. R. Ybarra	(Manuel)	Mechanical Technician	75-291	MRY
R. W. Banks	(Bob)	Meter Meas. Mech. "B"	75-266	1RWB

WASSON STATION

Drawer BB, Denver City, TX 79323  
1 mile North on 214 and about 1 1/2 mile East on Hwy 1939  
L. D. Number 806/592-2442 FAX Number 75-248

J. C. Rolston	(Charles)	Pipeline Operator	75-262	JCR1
R. M. Hodges	(Ronnie)	Pipeline Operator	75-262	
L. E. Wilson	(Larry)	Pipeline Operator	75-262	
L. W. Farris	(Larry)	Pipeline Operator	75-262	
W. F. Sparks	(Frank)	Pipeline Operator "B"	75-262	
N. E. Shanklin	(Nelson)	Lead Pipeliner	75-242	
L. C. Wood	(Lanny)	Pipeliner Truck Driver	75-242	
J. L. Burnett	(Jason)	Pipeliner	75-242	
J. D. Hiler	(Jimmy)	Pipeliner	75-242	
G. S. Crutcher	(Gary)	Pipeliner	75-242	
D. W. Hooker	(Donnie)	Pipeliner	75-242	
N. J. Smart	(Norma)	Pipeliner	75-242	

NEWCASTLE

P.O. Box 518 Newcastle, WY 82701  
223 West Wentworth, Newcastle, WY 82701  
L. D. Number 307/746-4417 FAX Number 307/746-4658

R. D. Vilhauer	(Rich)	Operations Foreman	307/746-4417	RDV1
A. McColley	(Ann)	Office Assistant	307/746-4417	ANN
M. D. Peterson	(Mickey)	Mechanical Technician	307/746-3234	MDP
M. A. Tanner	(Pete)	Sr. Electrical Tech.	307/746-3234	MAT7
H. L. Dummer	(Harvey)	Pipeline Operator	307/746-3234	HLD1
L. E. King	(Lyle)	Pipeline Operator	307/746-3234	LEK
E. V. Stanton	(Bucky)	Lead Pipeliner	307/746-3234	EVS



SHELL PIPE LINE CORPORATION  
WEST TEXAS AREA SOUTH  
TELEPHONE DIRECTORY  
AUGUST 1, 1992

AREA OFFICE

P. O. Box 1910, Midland, TX 79702  
200 North Loraine, Midland, TX 79701  
L.D. Number 915/686-5200 SSN Number 686-5200  
FAX Number 915/686-5284

<u>NAME</u>		<u>TITLE</u>	<u>EXT.</u>	<u>PROFS</u>
<u>ADMINISTRATION</u>				
M. G. Kohnke	(Morris)	Area Manager	5341	MGK1
		Cellular Phone	915/559-2707	
S. A. Adkins	(Sherri)	Office Assistant	5340	SAH1
<u>TECHNICAL</u>				
A. G. Smith	(Greg)	Technical Supervisor	5210	AGS
		Cellular Phone	915/559-6635	
S. L. Muffat	(Shawn)	Associate Engineer (Elec.)	5288	SLM1
D. J. Denning	(Darren)	Engineer (Civil)	5236	DJD3
D. A. Diller	(Duane)	Sr. Engineering Assistant	5291	DAD6
J. C. Idell	(Jim)	Engineering Assistant	5258	JCI1
J. D. Maffeo	(John)	Engineering Assistant	5328	1JDM
J. W. Limmer	(John)	Pipeline Specialist	5293	JWL3
J. M. Corley	(Mike)	Corrosion Technician	5332	JMC14
J. E. Diller	(Jim)	Corrosion Technician	5336	JED4
W. M. Merritt	(Bill)	Corrosion Technician	5345	WMM1
R. E. Phipps	(Russell)	Corrosion Technician	5256	REP1
T. A. Rogers	(Tiffany)	Communications Technician	5248	TAR2
D. P. Miller	(Darlene)	Engineering Drafter	5318	MILLER1
<u>OPERATIONS SUPPORT</u>				
L. D. Shamp	(Larry)	Sr. Land Agent	5203	SHAMP
L. L. Belcher	(Larry)	Operations Assistant	5240	LLB8
G. A. Kaul	(Greg)	HS&T Representative	5251	GAK4
		Cellular Phone	915/559-0105	
D. N. Daupert	(Dave)	Environmental Rep.	5235	DND
L. M. LaCour-McNary	(Lela)	Clerk II	5314	LML1
<u>ADMINISTRATIVE SERVICES</u>				
D. J. Diaz	(Joe)	Administrative Lead	5322	JDIAZ
P. E. Hopson	(Pat)	Sr. Human Resources Ast.	5304	PEH1
D. J. Strickland	(Dorothy)	Senior Clerk	5344	DJS1

SHELL PIPE LINE CORPORATION  
WEST TEXAS AREA SOUTH  
TELEPHONE DIRECTORY  
AUGUST 1, 1992

<u>NAME</u>	<u>TITLE</u>	<u>EXT.</u>	<u>PROFS</u>
<b><u>GOLDSMITH</u></b>			
200 South Scarbauer, Goldsmith, TX 79741			
P. O. Box 81, Goldsmith, TX 79741			
L. D. Number 915/827-3911 FAX Number 5278			
T. J. McCombs	(Jack) Operations Foreman	5353	TJM4
G. D. Beeman	(Doug) Mechanical Technician	5354	GDB
J. G. Lucus	(Jack) Mechanical Technician	5354	JGL2
C. N. Robinson	(Connie) Meter Meas. Tech.	915/337-7723	CNR
R. E. Bragg	(Robert) Pipeline Operator	5353	
W. D. Futch	(Don) Pipeline Operator	5353	
P. Shearod	(Preston) Pipeline Operator	5353	
O. L. Vigil	(Oscar) Pipeline Operator	5353	
<b><u>ODESSA STATION</u></b>			
Inside Shell Odessa Refinery Complex			
P. O. Box 234, Odessa, TX 79760			
L. D. Number 915/337-4121 FAX Number 6320			
C. H. Kerby, Jr.	(Hamp) Operations Foreman	6318	CHK
L. W. Awalt	(Larry) Communications Technician	5305	LWA1
O. G. Green	(Oscar) Communications Technician	5305	OGG
R. W. Hill	(Bob) Electrical Technician	6316	RWH
E. L. Landgraf	(Ed) Electrician "B"	6316	ELL1
H. M. Brown	(Mervin) Pipeline Operator	5350	
G. L. Ivory	(Gloria) Pipeline Operator	5350	
C. C. Pettis	(Cliff) Pipeline Operator	915/264-9426	
<b><u>ODESSA MAINTENANCE</u></b>			
1801 West Murphy, Odessa, TX 79760			
L. D. Number 915/337-2369 FAX Number			
B. J. Avery	(Jim) Maintenance Foreman	915/337-2369	BJA3
W. J. Teague	(Judd) Lead Pipeliner	915/337-2369	
J. V. Jordan	(James) Pipeliner-Trk Driver	915/337-5130	
J. S. Shumate	(Steve) Pipeliner-Welder	915/337-5130	
S. W. Griffin	(Scott) Pipeliner	915/337-5130	
J. F. Griffith	(Jeff) Pipeliner	915/337-5130	
S. D. James	(Sam) Pipeliner	915/337-5130	
S. L. Smotherman	(Sherry) Pipeliner	915/337-5130	

TELEPHONE DIRECTORY  
JULY 1992  
SHELL PIPE LINE CORPORATION  
MID-CONTINENT DIVISION

DIVISION OFFICE

Mailing Address

P. O. Box 68099  
Indianapolis, IN 46268-0099

Motor Freight Address

8500 North Michigan Road  
Indianapolis, IN 46268-1940

L.D. Number : 317/872-7440  
SDN : 872-2XXX

DID : 317/876-2XXX  
Shell Tie Line: (Trunk #)-XXX

<u>Ext. Name</u>	<u>Title</u>	<u>Profs</u>
------------------	--------------	--------------

Administrative

223 J.P. (Jim) Deuel	Division Manager	JPD4
Cellular 317/439-0602	Mobile 317/263-6685	
	Pager 1/800/443-7243 CODE 052540	
222 J.A. (Judy) Lacy	Administrative Secretary	JAL7

Technical

250 S.H. (Shawn) Hansson	Division Pipeline Engineer	SH
Cellular 317/432-7059	Pager 1/800/443-7243 CODE 052541	
209 E.S. (Elaine) Martin	Contract Services	ESM1

Human Resources

224 G.R. (Gary) Vaughan	Sr. Human Resources Analyst	GRV3
228 M.E. (Marie) Hunt	Sr. Human Resources Asst.	MEH8

Engineering

283 R.M. (Rick) Bonyata	Associate Engineer	RMB11
237 G.P. (George) Gregory	Associate Engineer	GPG1
202 C.S. (Craig) Hagge	Engineer	CSH2
270 J.D. (Jim) Johnson	Senior Engineering Asst.	JDJ3
Cellular 317/432-9327		
248 R.A. (Tony) Oldani	Associate Engineer	RAO3
278 T.D. (Tommy) Overton	Associate Engineer	TDO
266 J.S. (Shep) Shepard	Senior Engineering Asst.	JSS3
Cellular 317/439-5548		
284 N.A. (Nestor) Taura	Associate Engineer	NAT1
262 D.J. (Dan) Wallington	Senior Engineering Asst.	DJW1
277 J.A. (Jim) Wisker	Drafter II	JAW14

Pipe Line Management Systems

281 R.L. (Ron) Morris	Senior Office Assistant	RLM7
286 G.L. (Gary) McWhirter	Pipeline Analyst	GLM1

Corrosion

236 B.W. (Bryan) Baird	Engineer	BWB1
Cellular 317/439-0604	Portable Cellular 317/691-7826	

Measurement

251 J.H. (John) Green Jr.	Senior Pipeline Analyst	JHG2
227 M.J. (Mike) McGarry	Pipeline Analyst	MJM12

## DISTRICTS AND CONTROL CENTERS

EASTERN DISTRICTMailing Address

District Office  
P. O. Box 68099  
Indianapolis, IN 46268-0099

Motor Freight Address

District Office  
8500 North Michigan Road  
Indianapolis, IN 46268-1940

L.D. Number : 317/872-7440  
DID : 317/876-2XXX  
SDN : 872-2XXX  
Shell Tie Line: (Trunk #)-XXX

Fax District Office  
SDN : 872-2255  
Bell: 317/876-2255

Emergency Number (ANSWERED BY WOOD RIVER CONTROLLER) 800-634-4325

<u>Ext. Name</u>	<u>Title</u>	<u>Profs</u>
206 V.M. (Mort) Parsons Cellular 317/439-4027	District Manager Pager 1/800/443-7243 CODE 052542	VMP1
252 S.A. (Shirley) Abbott	Office Assistant	SAA1
254 M.M. (Martha) Kinnett Pager 1/800/443-7243 CODE 069945	Operations Assistant	MMK
229 A.W. (Al) Turnipseed Cellular 317/691-7826	HS&E Representative Pager 1/800/443-7243 CODE 069949	AWT1

EAST LINEMailing Address

Zionsville/Carmel  
Terre Haute/Carbon  
P. O. Box 7  
Zionsville, IN 46077

Motor Freight Address

Zionsville/Carmel  
Terre Haute/Carbon  
5405 W. 96th St.  
Indianapolis, IN 46268

<u>Ext. Name</u>	<u>Title</u>	<u>Profs</u>
216 R.E. (Dick) Waddell Cellular 317/432-3915 Portable Cellular 317/439-4026	Maintenance Foreman Pager 1/800/443-7243 CODE 052554	REW7
294 W.L. (Wanda) Watkins	Office Assistant	WLW1
220 A. de la Rosa Mtce. Cellular 317/439-9623	Lead Pipeliner	ADLR
258 W.H. (Bill) King Cellular 317/691-7744	Corrosion Mechanic "A"	WHK1
234 Maintenance Shop		
235 Operators Pager 317/928-9888		ZOPS
238 B.W. (Bruce) Beisel Cellular 317/439-9498	Electro-Mechanic "A" Pager 1/800/443-7243 CODE 069952	BWB
241 B.A. (Bruce) Shepherd Cellular 317/439-9847	Electro-Mechanic "A" Pager 1/800/443-7243 CODE 069953	BAS3
282 T.D. (Terry) McCoy Cellular 317/432-4734	Communications Tech. Pager 1/800/443-7243 CODE 069947	MCCOY
Zionsville Fax (Meter Sta.)	317/875-0475	
Zionsville Fax (Mtce. Shop)	317/872-6637	

Terre Haute Plant 812/466-5631  
Carbon Pump Station 317/548-2472  
Carmel Pump Station 317/846-4048

Vandalia/Effingham  
R. R. 3, Box 226A  
Effingham, IL 62401

Vandalia/Effingham  
U. S. 45 North  
Effingham, IL 62401

EASTERN DISTRICT

Mailing Address  
Columbus Plant  
3651 Fisher Rd.  
Columbus, OH 43228

Motor Freight Address  
Columbus Plant  
3651 Fisher Rd.  
Columbus, OH 43228

<u>Title</u>	<u>Profs</u>	<u>SDN #</u>	<u>L.D. #</u>
Columbus Plant		274-8449	614/274-8449
R.W. (Randy) Thompson	RWT3	Operations Foreman	
Cellular 614/371-8775		Pager 1/800/443-7243	CODE 022666
Columbus-Union Mtr. Sta.	DEA1		614/876-5725
Columbus Fax			614/274-0043

NORTH LINE

East Chicago Terminal  
2400 Michigan St.  
Hammond, IN 46320

East Chicago Terminal  
2400 Michigan St.  
Hammond, IN 46320

DID: 219/845-4500 OR 219/989-4XXX SSN: 238-4XXX

<u>Name</u>	<u>Profs</u>	<u>Title</u>	<u>Ext.</u>
R.K. (Bob) Williams	RKW1	Operations Foreman	228
Cellular 219/730-7762		Pager 1/800/443-7243	CODE 078473
K.M. (Kathy) St.Germain	KMS3	Senior Clerk	213
G.J. (Greg) Pater	ECMECH	Master Mechanic	245
Cellular 219/730-7784		Pager 219/755-1084	
R.F. (Rod) Lambert	ECMECH	Mechanic "A"	246
Cellular 219/730-7763			
East Chicago Office Fax			230
J.W. (John) Martin	JWM1	Operator	216
Operators	ECOPS	Pager 1/800/443-7243	CODE 052555
Meter Station Fax			220
J.E. (Jon) Meyer	JEM6	Mtce. Foreman	214
Cellular 219/730-7783		Pager 1/800/443-7243	CODE 078472
Truck Rack Fax			211

Argo  
Box 290  
Argo, IL 60501

Argo  
8600 W. 71st St.  
Bedford Park, IL 60501

<u>Title</u>	<u>Profs</u>	<u>SDN #</u>	<u>L.D. #</u>
Argo Plant	ARGO	233-5801	708/572-5801
Argo Plant Fax		233-5838	
Argo Maintenance		233-5832	708/572-5832
H.R. (Harold) Grossman	HRG1	Maintenance Foreman	
Cellular 708/533-9824		Pager 1/800/443-7243	CODE 078474
R.W. (Robbie) Tharp	RWT7	Lead Pipeliner	
		Pager 800/759-7243	CODE 2772987
S.D. (Steve) Schuler		Welder "A"	
Cellular 708/341-8618		Pager 708/536-1329	
F.W. (Fred) Sloan Jr.		Electro-Mechanic "A"	
Cellular 708/533-9381		Pager 708/536-1886	
G.L. (Gary) Patterson		Electro-Mechanic Trainee	
		Pager 708/536-3406	
O. (Ozzie) Sartori		Maintenance Truck Driver	
		Pager 708/536-2132	
J.L. (J.J.) Johnson		Corrosion Mechanic "A"	
Cellular 708/921-7450		Pager 708/536-0793	

EASTERN DISTRICT

<u>Name/Title</u>	<u>Profs</u>	<u>SDN #</u>	<u>L.D. #</u>
E.L. (Lynn) Meyer Cellular 217/433-2402		Corrosion-Mechanic	
P.L. (Phil) Damery Cellular 217/433-8816	PLD1	Electro-Mechanic	
J.L. (Jim) Koonce	JLK	Station Attendant Pager 217/425-3574	
Mtce. Trk 3/4 ton De Witt Pump Station		Cellular 217/433 3707 217/935-2683	

WOOD RIVER DISTRICTMailing Address

Wood River Pump Station  
P. O. Box 128  
Roxana, IL 62084

Motor Freight Address

Wood River Pump Station  
2nd & Chaffer St. (Sta. 65)  
Roxana, IL 62084

SSN: 236-2258

DID: 618/255-2258

L/D: 618-254-9062

Pager 618/325-7308

SDN

&amp;

NameProfsTitle

SPLC

T/L

DID

Ext.

2258	Pipeline Operators	WRO4		
	W.V. (William) Dabney	WVD	T.J. (Joe) Hawk	
	C.C. (Charlie) Snively		L.J. (Larry) Boehmer	
	K.S. (Karen) Werner			

Fax 618/251-4520

## Wood River Maintenance

P. O. Box 128  
Roxana, IL 62084

## Wood River Maintenance

201 N. Old Edwardsville Rd.  
Roxana, IL 62084

2925	P.T. (Pat) King	PTK	Mtce. Foreman	442
	Cellular 314/973-9621	Pager 1/800/443-7243	CODE 069946	
	J.R. (Jim) Weiss	JRW1	Lead Pipeliner	
		Pager 618/325-5765		

## Pipeliners 618/254-9044

	D.W. (Dave) Adams	Pager 618/325-5761
	J.M. (Jim) McDonald	Pager 618/338-0142
	M.E. (Earl) Bales	Pager 618/338-3789
3/4 Ton Trk.		Cellular 618/973-9669
1 Ton Trk.		Cellular 618/973-9677
Fax	618/254-9806	

## Wood River Tank Farm

P. O. Box 128  
Roxana, IL 62084

## Wood River Tank Farm

Shell Oil Co. Receiving  
Station 95  
Roxana, IL 62084

SSN: 236-2576

DID: 618-255-2576

L/D: 618-254-6523

Pager 618/325-3715

2576	Pipeline Operators	SWP1		456
	R.A. (Bob) Beemer		P.M. (Pam) Grotts	
	W.K. (Bill) Roberds			
2379	SW Property Fax	618/254-9457		

## Texas Station

Capwood Wood River Station  
St. Louis Meter Station  
Airport RTU Building

618/254-8821

618/254-2229

314/436-1415

314/426-1721

445

446

WOOD RIVER DISTRICT

Mailing Address  
 Neosho Maintenance  
 P. O. Box 59  
 Neosho, MO 64850

Motor Freight Address  
 Neosho Maintenance  
 629 N. College  
 Neosho, MO 64850

DID: 417/451-1323

<u>T/L</u>	<u>Name</u>	<u>Profs</u>	<u>Title</u>
426	J.F. (Jim) Green	JFG1	Maintenance Foreman
	Cellular 417/839-3556		Pager 1/800/443-7243 CODE 069941

Pipeliners

426	D.E. (Dan) Woodcock		Truck Driver
426	A.D. (Andy) Barker		
426	S.D. (Dale) Ramsey		
	Cellular 417/839-3820		
	Fax 417/451-1302		

Grand Lake/Chelsea/Wildhorse  
 P. O. Box 1533  
 Claremore, OK 74017

Grand Lake/Chelsea/Wildhorse  
 629 N. College  
 Neosho, MO 64850

	<u>T/L</u>
Grand Lake St. 918/676-3448	233
Chelsea Sta. 918/789-2303	232
Wildhorse Sta. 918/396-1280	231
Cushing Sta. 918/225-1607	227

<u>Name</u>	<u>Profs</u>	<u>Title</u>
J.C. (Jess) Allen	JCA1	Station Attendant
Cellular 918/625-7079		Pager 1/800/443-7243 CODE 014813

Cushing Office  
 Rural Route 1, Box 2505  
 Cushing, OK 74023

Cushing Office  
 South Linwood Road  
 Cushing, OK 74023

Shell Tie Line: (Trunk #) -XXX DID: 918/225-1601

<u>T/L</u>	<u>Name</u>	<u>Profs</u>	<u>Title</u>
213	D.E. (Dennis) Hegemier	DEH	P/L HS&E Assistant
	Cellular 918/625-7086		Pager 1/800/443-7243 CODE 074954
212	B.F. (Bessie) Brown	BFB1	Clerk I
	Fax 918/225-5453 (District office)		

Technicians

230	A.E. (Gene) Dockray		Mechanical Technician
	Cellular 918/629-0759		
216	W.L. (Bill) Candler Jr.	WLC5	Corrosion Technician
	Cellular 918/625-9135		Pager 1/800/443-7243 CODE 005776
217	J.D. (Dan) Grotts	GROTTS	Sr. Comm. Technician
	Cellular 918/629-9507		Pager 1/800/443-7243 CODE 052556
228	D.G. (Gordon) Kinnaird	DGK1	Electrical Technician
	Cellular 918/625-0269		Pager 1/800/443-7243 CODE 052558
228	R.D. (Roberta) Byington		Electrical Tech. Trainee



WOOD RIVER DISTRICT

Mailing Address  
 Central Michigan Office  
 P. O. Box 340  
 Thomas Road  
 Kalkaska, MI 49646

Motor Freight Address  
 Central Michigan Office  
 c/o S.W.E.P.I. Division Whse.  
 Thomas Road  
 Kalkaska, MI 49646

L.D. No.: 616/258-9596 DID No.: 616/258-6XXX SDN No.: 242-6XXX  
 Local Pager Number: 1/800/802-XXXX CUE Pager No.: 1/800/443-7243

Emergency Number (ANSWERED BY WOOD RIVER CONTROLLER) 800-634-4325

Fax-District Office 616/258-6348 SDN-242-6348  
 Fax Operations/Mtce. 616/258-6429 SDN-242-6429

<u>Ext.</u>	<u>Name</u>	<u>Title</u>	<u>Profs</u>	<u>Pager</u>
411	I.R. (Chico) Rios Cellular 616/590-1283 Mobile 616/941-3140	Oper. Supvr.	IRR	CODE 052551
410	M.C. (Tina) Parker	Clerk II	MCP1	

**Technicians**

412	G.A. (Jerry) Davis Cellular 616/590-2354	Elect. Tech.	GAD1	1514
456	J.D. (Dave) Straight Cellular 616/590-1665	Corr. Tech.	JDS15	CODE 068385
338	A.C. (Al) Brown Cellular 616/590-2352	Meas. Tech.	ACB2	1712
418	L.K. (Lee) Cottrell Cellular 616/590-2880	Meas. Tech.	LKC1	1710
448	P.L. (Paul) Vance Cellular 616/590-2881	Mech. Tech.	PLV1	

**Maintenance**

419	I.E. (Ival) Hendricks Cellular 616/590/1284 Mobile 616/941-3145	Mtce. Foreman	IEH	CODE 052552
337	W.M. (Sandy) Raudman	Lead Pipeliner	WMR1	7301
340	J.L. (Jim) Demin	Truck Driver	MCC1	CODE 029146
340	D.L. (Dan) Dalzell	Pipeliner	MCC1	CODE 029145
340	G.S. (Geri Sue) Gallagher Maintenance Truck #93 Maintenance Truck #198 Maintenance Truck #7	Pipeliner Cellular 616/590-1461 Cellular 616/590-1462 Cellular 616/590-1743	GSG	CODE 029147

**Operations**

416	B.J. (Barb) Berlin	Oper. Sr. Clerk	BJB1	
427	R.J. (Rudy) Northcutt	Pipeline Operator	MOPS	5034
417	G.L. (Gib) Pritchard	Pipeline Operator	MOPS	0052

**Other Locations**

Marysville Sta. 313/364-8861

**TELEPHONE DIRECTORY  
WEST COAST AREA**

**ANAHEIM OFFICE - MAILING ADDRESS**

511 N. Brookhurst St.  
P. O. Box 4884  
Anaheim, CA 92801  
L.D. Number: 714/991-9200  
SSN: : 520-3XXX

FAX 1ST Floor - 714 520-3528  
FAX 3RD Floor - 714 520-3538  
FAX 3RD Floor - 714 520-3427

**ADMINISTRATION**

Name	Title	Ext.	Profs
Whittington, G.T. (Gary)	Area Manager - Anaheim Cellular Phone	3741 714-742-0151	GTW
Moore, D. (Dine)***	Adm. Secretary	3742	MMM3

**ENVIRONMENTAL/TECHNICAL**

Alexander, L. W. (Larry)	Environmental/Technical 24 Hour Beeper	3374 714-691-6610	LWA
--------------------------	---	----------------------	-----

**HEALTH SAFETY & TRAINING**

Blanton, J.D. (Jim)	HS&T Rep.	805-326-6066 SSN-646-6066	JDB4
	Pager	714-691-2831	
Matson, R. E. (Richard)	HS&T Rep.	3761	REMAT
	Pager	714-691-6640	
	Cellular Phone	213-507-4230	

**ENVIRONMENTAL**

Cancienne, P. C. (Phil)	Environmental Rep.	520-3736	PCC1
	Pager	714-691-6636	
Mercer, G. W. (Gerry)	Environmental Rep.	SSN 646-5501	MERCER
	Pager	805-326-5501 714-691-5457	

**FINANCIAL/ADMINISTRATIVE**

Manning, C. E. (Cliff)	Administrative Lead	3484	CEM11
Blanton, W. E. (Ed)	Sr. Office Asst.	3372	WEB1
Fleisher, J. R. (John)	Sr. Financial Analyst	3448	2JRF
Miceli, D. L. (Dixie)	Sr. Office Asst.	3709	DLM1
Myberg, S. J. (Sylvia)	Office Asst./Receptionist	3391	SJM2
Pham, H. V. (Hiep)	Office Asst.	3708	HIEP
Schumacher, J. D. (Jodi)	Accounting Asst.	3476	JDS2
Valley, B. A. (Becky)	Purchasing Asst.	3470	BAV1

**HUMAN RESOURCES**

Layana, B. D. (Blanche)**	Human Resources Asst.	3718	BDL
Shahan, K.M. (Karen)**	Sr. Human Resources Asst.	3702	KMS
Thompson, E. A. (Liz)	Sr. Human Resources Rep.	SSN 421-2096	LIZ1

\*\* Administrated by Anaheim Administrative Complex

\*\*\* West Coast Area Calendar via PROFS

**TELEPHONE DIRECTORY  
WEST COAST AREA**

**BRENTWOOD OFFICE - MAILING ADDRESS**

Route 2, Box 199  
Sand Creek Road  
Brentwood, CA 94513  
L.D. 510 634-2160  
FAX 510 634-1395

Name	Title	Phone	Profs
Freitas, J. (Joe)	Oper./Maint. Foreman	510 634-2160	JFRE1
	Cellular Phone	415 722-6659	
Gonzalez, G. J. (Gilbert)	Tech (Meas.Elec.,Mech)		
Thompson, J. S. (Jeff)	Gauger	510 634-0270	BAG1
Page, T. (Tim)	Pipeliner	510 634-8156	
Becerra, F. J. (John)	Lead Pipeliner		
Answering Service (Pipeline Office)		510 228-4285	
San Jose Plant		415 435-8220	
		SSN 435-8220	
So. San Francisco Plant		510 761-1424	
So. San Francisco Plant (Meter Station)		510 588-4187	
Martinez Pump Station		SSN 633-3472	

**CALIOLA OFFICE - MAILING ADDRESS**

P. O. Box 954  
Coalinga, CA 93210  
L.D. 209 935-2471 or 1521  
FAX 209 935-0536

**FREIGHT ADDRESS**

c/o Caliola Pump Station  
9 miles North of and 5 miles  
East of Highway 33  
Coalinga, CA 93210

Name	Title	Phone	Profs
Stone, W. L. (Bill)	Oper/Maint. Foremen	SSN 646-7429	WLS1
Deverick, D. J. (Danny)	Gauger	646-7413	
Supernaw, M.D. (Mike)	Gauger	646-7413	
Baggs, R. D. (Richard)	Station Operator	646-7417	
Garza, G. (Gilbert)	Head Pipeliner	646-7462	
Garza, L.R. (Louis)	Pipeliner/Truck Driver	646-7417	
Lopez, P. C. (Pete)	Pipeliner/Truck Driver	646-7462	
Clark, R. E. (Bob)	Mechanic	646-7404	

**TELEPHONE DIRECTORY  
WEST COAST AREA**

**LONG BEACH OFFICE - MAILING ADDRESS**

2459 Redondo Avenue  
Long Beach, CA 90806  
L.D. 310 988-3300  
FAX 310 424-0182

Name	Title	Phone #	Profs
<b><u>OPERATIONS</u></b>			
D. R. Herman (Don)	Opers. Foreman	310/SSN 988-3304	DRH3
	Pager	714 691-6604	
V. K. Johnson (Van)	Gauger	310/SSN 988-3330	LBGAUGER
T. J. Wohlgemuth (Teri)	Gauger	988-3333	LBGAUGER
J. D. Coleman (John)	Measurement Tech.	988-3339	JDC3
H. W. Baker (Harry)	Mechanic	988-3313	HWB1
A. Lopez (Al)	Mechanic #2 (Temp)	988-3314	
M. D. Zagala (Mike)	Elec. Tech.	988-3311	MDZ
J. V. Hoffman (Joe)	Comm. Tech.	988-3344	JVH1
<b><u>MAINTENANCE</u></b>			
D. P. Coburn (Dan)	Maint. Foreman	310/SSN 988-3305	DPC1
	Pager	714 691-6605	
D. F. Calderon (Dave)	Line Rider	988-3324	
A. K. Rosenkrantz (Alan)	Line Rider	988-3349	
J. B. Gonzales (Jack)	Head Pipeliner	988-3322	
M. A. Adelman (Mike)	Pipeliner		
R. J. Guidry, J. (Russ)	Pipeliner		
S. A. Guinn (Steve)	Pipeliner		
S. K. Kettles (Susan)	Pipeliner		
B. T. Kiker (Ben)	Pipeliner		
W. Owens (Wil)	Pipeliner		
W. K. Parks (Kirk)	Corrosion Tech.	310/SSN 988-3317	
J. A. Smejkal (Joyce)	Office Assist.	310/SSN 988-3300	JAS1

TELEPHONE DIRECTORY  
WEST COAST AREA

Maintenance

Romely, M. J. (Mike)	Maintenance Foreman	805 326-5463	
	Cellular Phone	805 838-8495	
Winton, J. R. (Jim)	Head Pipeliner	805 326-6195	
Hughes, M. A. (Mark)	Pipeliner		
Jones, D. A. (Doug)	Pipeliner		
Marvin, D. R. (Dave)	Pipeliner		
Mitchell, V. V. (Vince)	Pipeliner		
Ray, T. L. (Terry)	Pipeliner		
Reed, J. G. (Janet)	Pipeliner		
Ruiz, R.J. (Ron)	Pipeliner		
Deatherage, T. D. (Dane)	Line Rider	805 326-6051	

Bakersfield Corrosion

Barnard, J. D. (John)	Corrosion Tech	805 326-6108	JDB
	Beeper	714 691-6668	
Scott, P. K. (Kevin)	Corrosion Tech	805 326-6109	PKS
	Beeper	714 691-6669	